



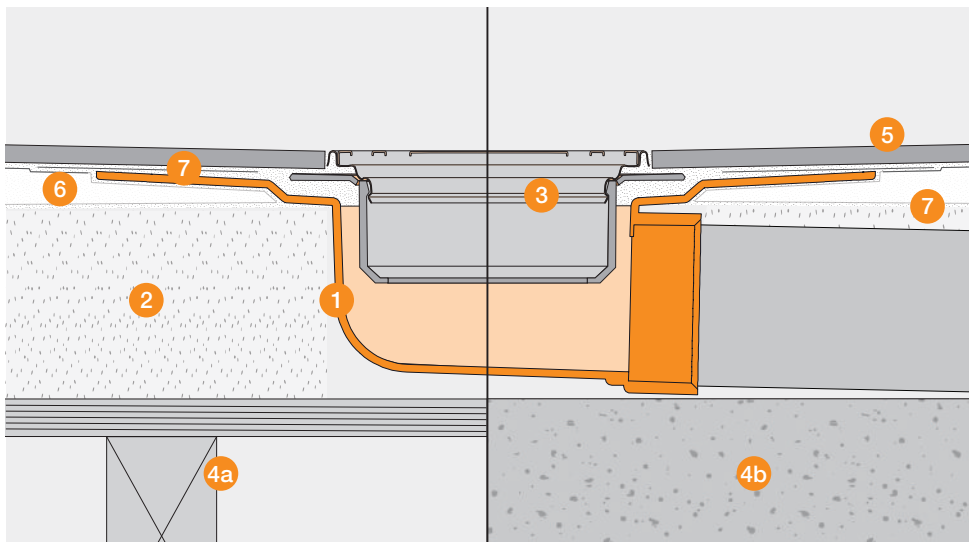
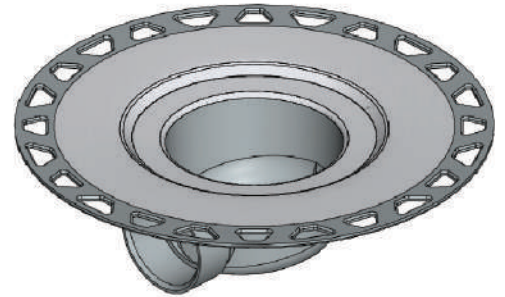
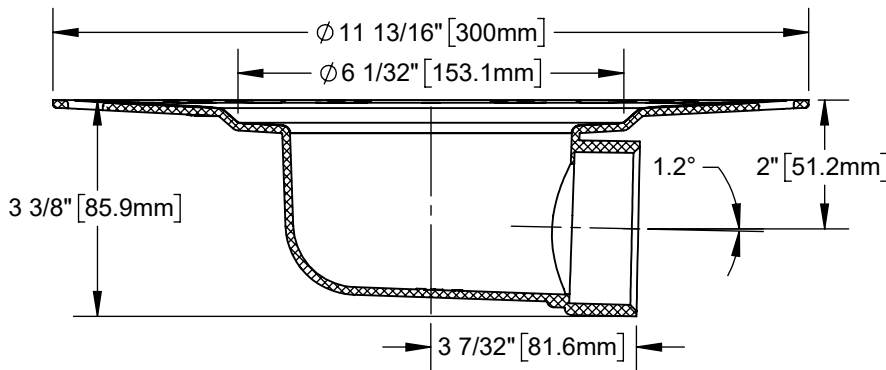
KERDI-DRAIN-H

Drain Body: ABS and PVC - **ICC-ES PMG-1204**

KERDI-DRAIN-H in ABS or PVC, part of the Schluter®-Shower System, features an integrated bonding flange and provides a horizontal connection to the drain pipe with a 2" (50 mm) outlet. The Schluter®- Shower System is an integrated family of products (e.g., KERDI waterproofing membrane, KERDI-SHOWER shower trays, grate assemblies, etc.) that creates a bonded waterproof sealed system. It is ideal for applications where the use of a vertical connection to the drain pipe is not possible or practical. *Drain grate assembly sold separately.

Schluter®-KERDI-DRAIN-H

Size	Connection Type	Material	Item No.	Seals and Corners Included	Select	Initials
2" (50 mm)	Solvent weld	ABS	KDH2 FLK ABS	Yes		
		PVC	KDH2 FLK PVC	Yes		
		ABS	KDH2/ABS/FL	No		
		PVC	KDH2/PVC/FL	No		



- 1 Schluter®-KERDI-DRAIN-H Flange
- 2 Schluter®-KERDI-SHOWER-CB compensation board
- 3 Schluter®-KERDI-DRAIN grate assembly (sold separately)
- 4 Subfloor
a) Wood
b) Concrete
- 5 Ceramic, porcelain, or stone tile
- 6 Schluter®-KERDI-SHOWER tray
- 7 Schluter ALL-SET® thin-set mortar

Listings and Certifications

CSA B79-08, UPC - IAPMO IGC 195, and ICC-ES (Report No. PMG-1204). Los Angeles Research Report

See **Shower System technical data sheet** for information on drain grates, shower trays, and compensation board. See **Schluter®-Shower System Installation Handbook** for installation instructions and warranty criteria.

*See KERDI-DRAIN Grates Specification Sheet for drain grate options.

For a complete offering of materials and SKUs, please visit www.schluter.com. This specification sheet is subject to change without notice. Please visit www.schluter.com for the latest version.