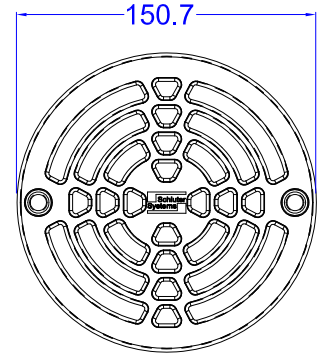
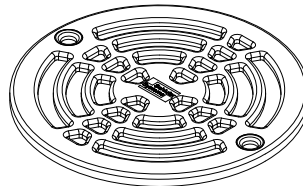
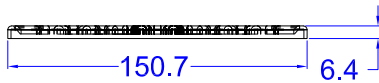
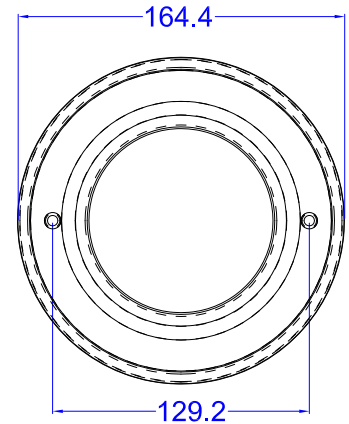
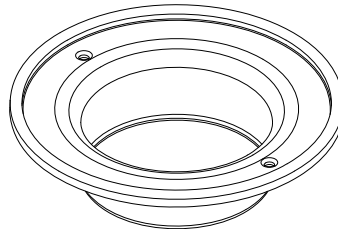
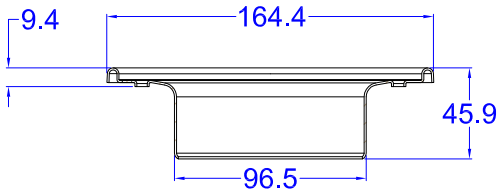


# Schluter® - KERDI-DRAIN

6 inch round stainless steel grate



Flow Through Area = 5016.76 mm<sup>2</sup>



Scale: N.T.S.