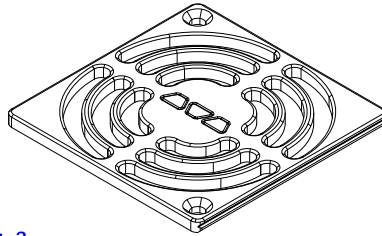
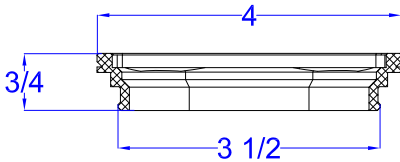
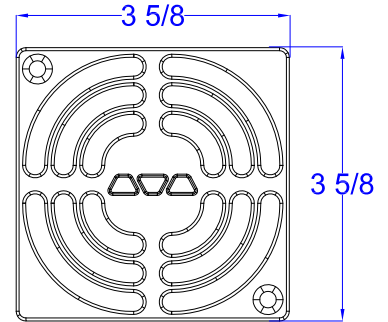


Schluter® - KERDI-DRAIN

4 inch aluminum grate



Flow Through Area = 4.93 inch²



Scale: N.T.S.

