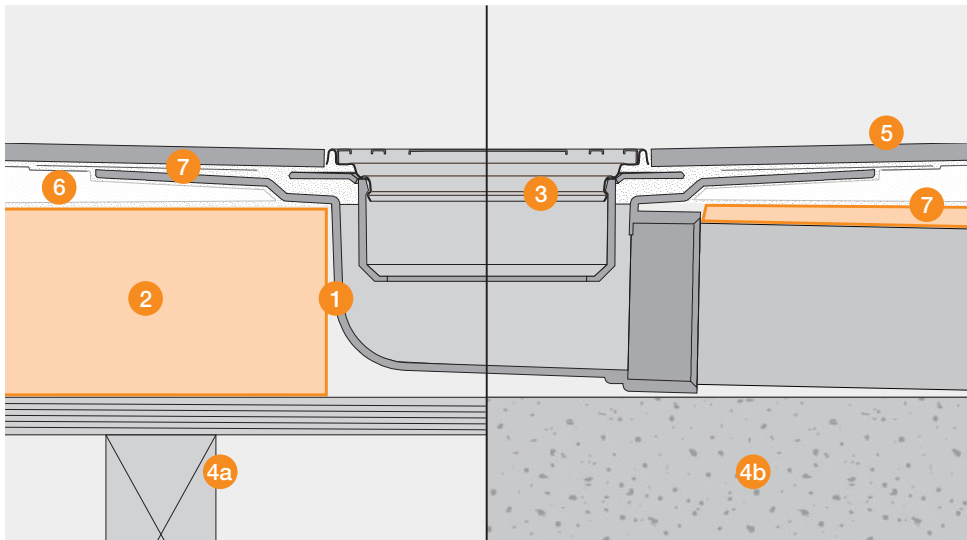
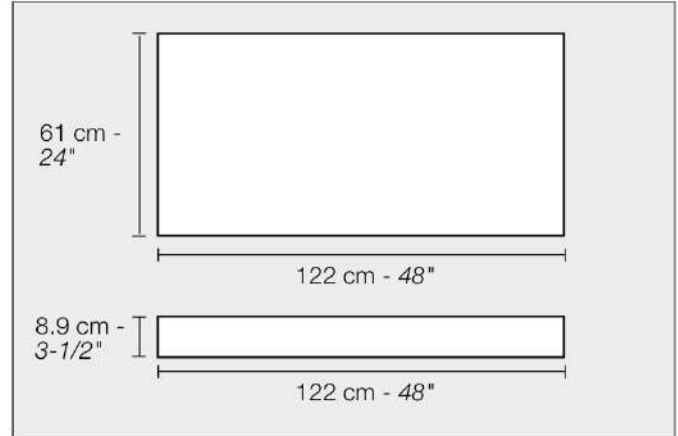




KERDI-SHOWER-CB Compensation Board

KERDI-SHOWER-CB height compensation board is made of expanded polystyrene used to accommodate the drain body and waste pipe height when installing Schluter®-KERDI-DRAIN-H. KERDI-SHOWER-CB is part of the Schluter®-Shower System, which is an integrated family of products (e.g., KERDI-SHOWER shower trays, KERDI waterproofing membrane, etc.) that creates a sealed system.

Schluter®-KERDI-SHOWER-CB		
Compensation Board		
Item No.	Select	Initials
KSCB 90 610 1220		



- 1 Schluter®-KERDI-DRAIN-H Flange
- 2 Schluter®-KERDI-SHOWER-CB compensation board
- 3 Schluter®-KERDI-DRAIN grate assembly (sold separately)
- 4 Subfloor
a) Wood
b) Concrete
- 5 Ceramic, porcelain, or stone tile
- 6 Schluter®-KERDI-SHOWER tray
- 7 Schluter ALL-SET®

See **Shower System technical data sheet** for information on Schluter®-KERDI-DRAIN drain flanges, shower trays, and other Schluter® shower system components. See **Schluter®-Shower System Installation Handbook** for installation instructions and warranty criteria.

For a complete offering of materials and SKUs, please visit www.schluter.com. This specification sheet is subject to change without notice. Please visit www.schluter.com for the latest version.