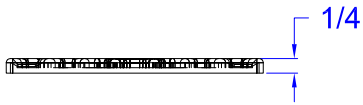
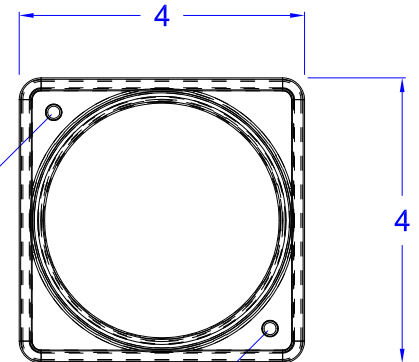
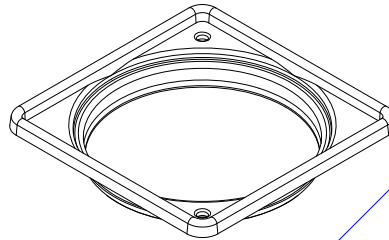
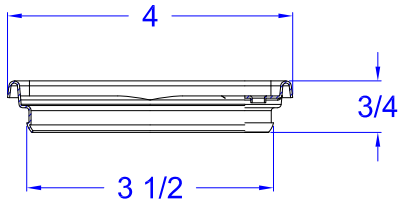
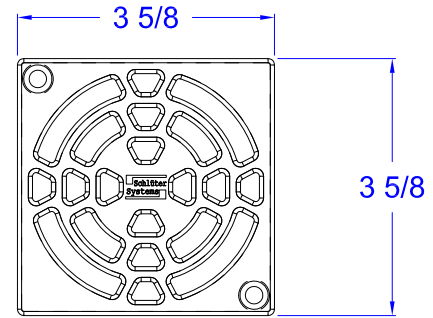
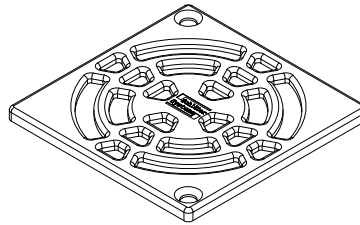


# Schluter® - KERDI-DRAIN

## 4 inch stainless steel grate



Flow Through Area = 3.363 inch<sup>2</sup>



Scale: N.T.S.