

Practical in design, elegantly crafted

Schlüter®-DESIGN-NICHE





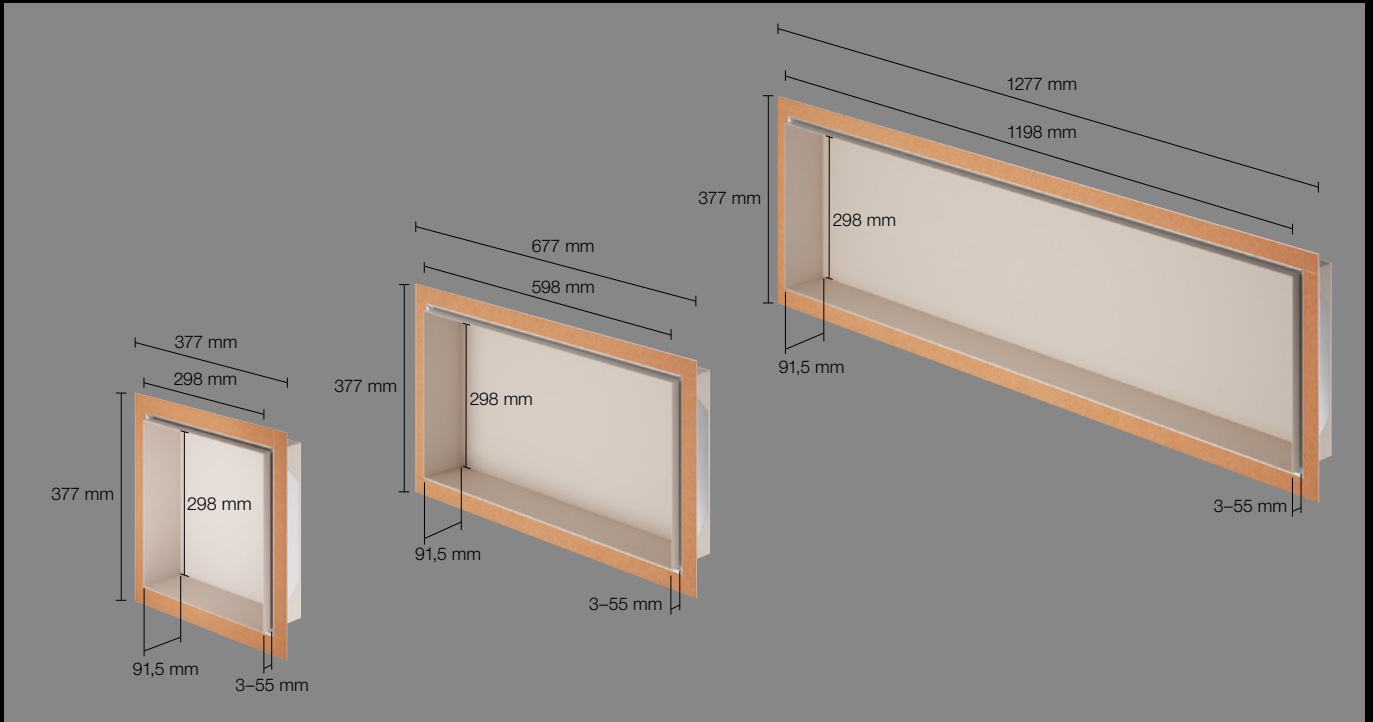
Functional, flexible, stylish

Schlüter®-DESIGN-NICHE

- ✓ System combines adaptability, flexibility and design
- ✓ High quality powder coating in a variety of TRENDLINE colours
- ✓ Adjustable frame: can be installed flush or protruding
- ✓ Suitable for all tile thicknesses and all types of wall construction
- ✓ For vertical/portrait or horizontal/landscape installation
- ✓ Available in three sizes to match standard tile dimensions
- ✓ Low weight – Easy to install
- ✓ Waterproof – abP-certified
- ✓ All-in-one set

Design in the perfect format

Three formats for more flexibility



The colours

Nine colours for more individuality



Matte brilliant white



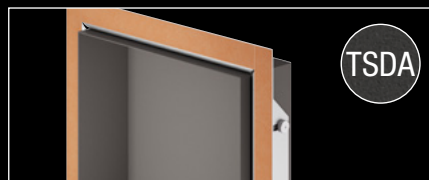
Textured natural cream



Textured natural ivory



Matte graphite black



Textured natural dark anthracite



Textured natural bronze



Textured natural beige grey



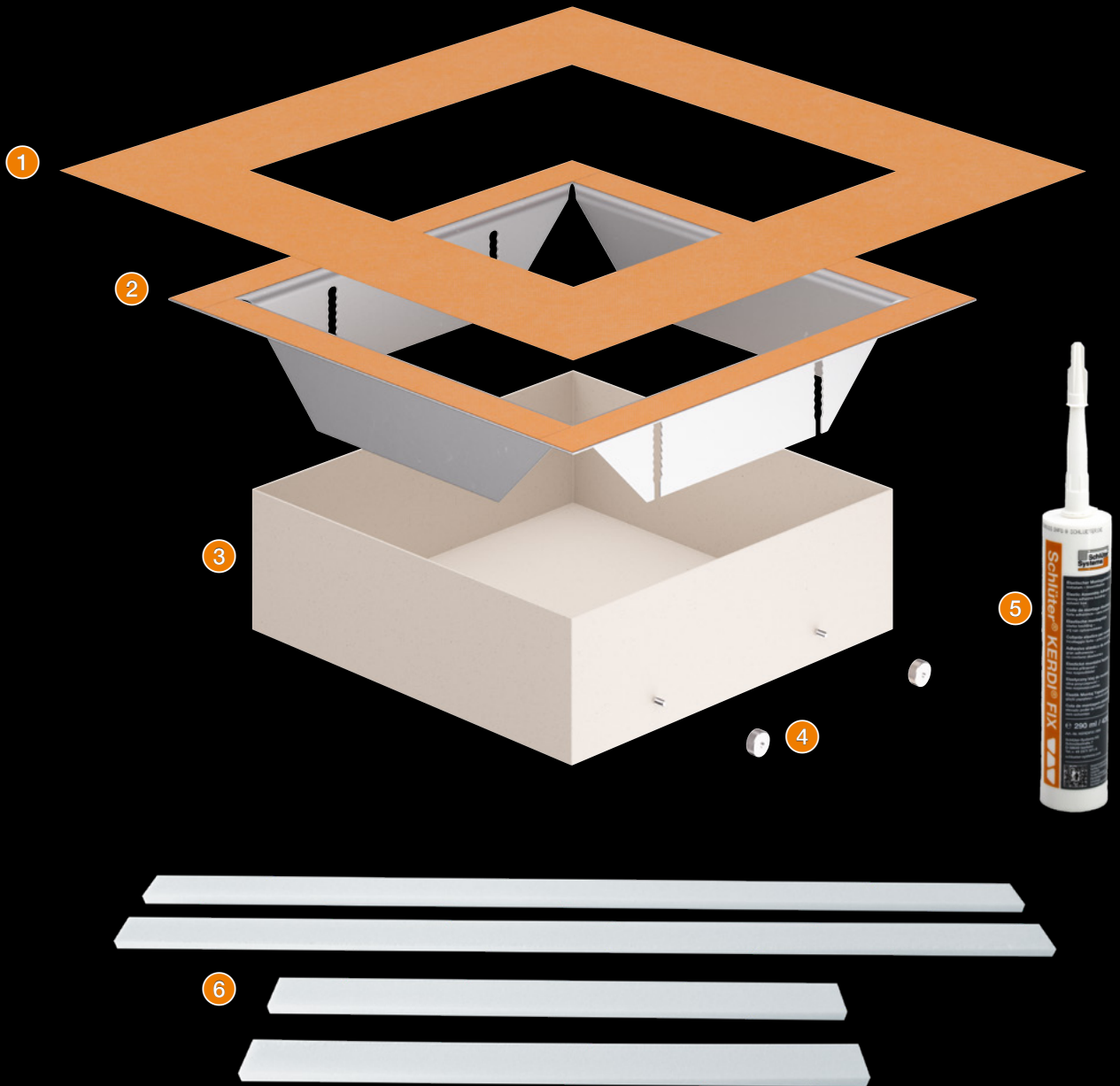
Textured natural grey



Textured natural stone grey

All-in-one package

Set contents



- ① Schlüter®-KERDI waterproofing collar
- ② Anodised aluminium frame
- ③ Powder-coated aluminium niche with threaded bolts
- ④ Knurled nut
- ⑤ Schlüter®-KERDI-FIX
- ⑥ Spacer strip

The smart solution for wall design

Cleverly designed, elegantly implemented – without any compromise

Schlüter-DESIGN-NICHE combines adaptability, flexibility and design. The prefabricated installation element can be used to create a wide range of design features on walls, not just in the bathroom, but everywhere in the home: The rectangular niches are available in three different dimensions and TRENDLINE colours and can be installed either vertically or horizontally, flush with the surface or protruding from the tiling.

The DESIGN-NICHE is made of powder-coated aluminium and has an adjustable depth. It comes with a frame made of anodised aluminium, a prefabricated KERDI collar for secure waterproofing and the KERDI-FIX installation adhesive. Installation is quick and easy, and the niche has the added bonus of being lightweight and waterproof. For a system-compliant design, all components of the set are glued together with the separately available sealing adhesive KERDI-COLL-L.

Installation options



Flush with the tiled surfaces



Design protruding from within tiled surfaces

Learn more online

Would you like to know more about Schlüter-Systems?
The quickest way is to visit our website.

schluter.co.uk



You can also follow us on Instagram, Facebook and YouTube.



Schlüter-Systems KG Schmölestraße 7 | D-58640 Iserlohn

+49 2371 971-0 +49 2371 971-1111 info@schluter.de schluter-systems.com

Schlüter-Systems Ltd Units 3-6 Bardon 22 Industrial Estate | Bardon Hill | Coalville | Leicestershire | LE67 1TE

+44 (0) 1530 813396 sales@schluter.co.uk schluter.co.uk